



NECSEL™ NOVALUM

RGB LASER DIODE - 250 LUMEN

Version 1.1



UNIQUE & ADAPTABLE

The Necsel NovaLum contains a red, green and blue laser to produce a combined output of over 250 white balanced lumens into an extremely small 400 micron core fiber. Combined with the Necsel Intelligent Controller, this laser can be easily integrated into an OEM system.

FEATURES

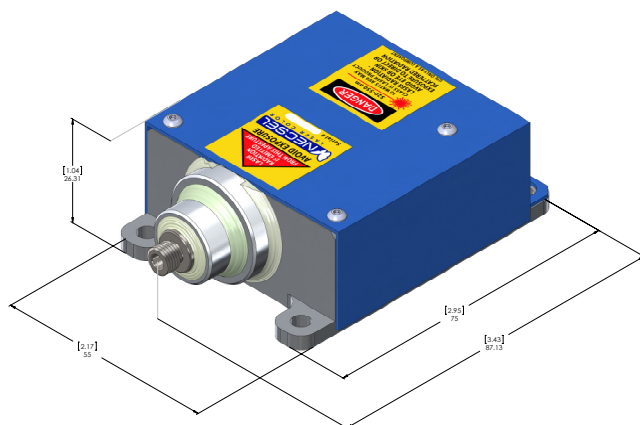
- 250 Lumens
- Long Lifetime
- Couples Into Small Fibers
- Independently Modulated
- Colors
- High Speed Modulation
- Compact Size
- Temperature Feedback

APPLICATIONS

- Remote Source Lighting
- OEM Systems
- Bioinstrumentation
- Forensics
- Inspection
- Visualization
- Boroscopes
- Laser Light Shows

SPECIFICATIONS SUMMARY

Parameter	Min	Limits Typ	Max
Operating Power (RGB)	1150 mW (White Balanced)		
Temperature	25°C		
Fiber- Coupling	SMA-905, 400 μm core, .22 NA		
RED			
Center Wavelength	638 nm		
Operating Power	0 mW	-	600 mW
Current	0	-	1600 mA
Voltage	-	2.5 V	3.0 V
GREEN			
Center Wavelength	525 nm		
Operating Power	0 mW	-	800 mW
Current	0	-	1600 mA
Voltage	-	4.7 V	5.2 V
BLUE			
Center Wavelength	465 nm		
Operating Power	0 mW	-	1800 mW
Current	0	-	2000 mA
Voltage	-	4.7 V	5.2 V



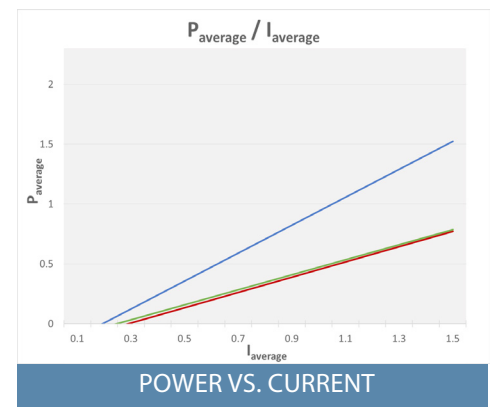
OPTIONAL ACCESSORIES



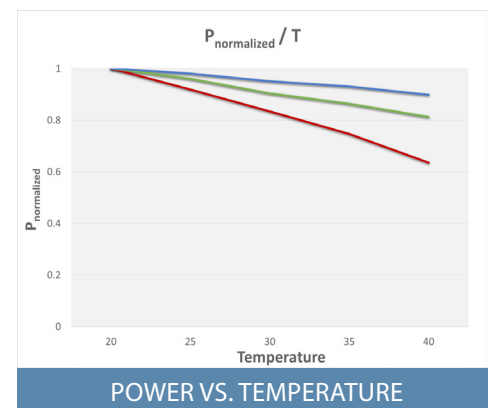
TRANSPORT FIBER



INTELLIGENT CONTROLLER



POWER VS. CURRENT



POWER VS. TEMPERATURE